



## LSBI28B2

Wine Cellar service



Built-in column

### GENERAL INFORMATION

**Number of bottles : 28**

**Number of zones : 1**

**Adjustable temperature range : 5-20°C**

**Noise level : 38dB**

**Energy class : F**

**Climate class : SN/ST (10-38)**

**Vinotag compatible : Yes**



## Product description

### DESIGN AND ELEGANCE

Built-in in a column, the LSBI28B2 fits elegantly into your kitchen and easily thanks to its standard microwave format. Protected by a tempered glass door with anti-UV treatment, your bottles are visible and enhanced by interior LED lighting.

### TO THE NEAREST DEGREE

Bring your wines to tasting temperature to take full advantage of all their aromas. Digital exterior control panel for more intuitive use and to avoid unwanted temperature movements inside the cabinet (vs. interior setting).

### OPTIMIZED STORAGE

Store your wines on its natural wooden shelves; ergonomic, they are specially designed to accommodate your 75 cl Bordeaux-type wine bottles); removable they adapt to your need.



#### EXTERNAL CONTROL

External adjustment to avoid temperature movements



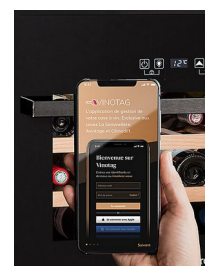
#### LED LIGHT

LED lighting highlights the wine without harming it or disturbing its storage



#### WOODEN SHELF

Traditional and aesthetic they absorb vibrations



#### VINOTAG COMPATIBLE

Free wine cellar management application. Access a virtual representation of your cellar and a detailed inventory

# LSBI28B2

EAN-13 - 3541362505293

## Capacity and Temperature

- **Number of bottles: 28**
- **Adjustable temperature: 5-20°C**

## Door

**Door color :** Black  
**Door glass color :** Grey  
**Number of glass layers :** 3  
**Anti-UV :** Yes  
**Low-e glass :** Yes  
**Tempered glass :** Yes  
**Lock :** No  
**Reversible door :** No  
**Handle type :** Pulling bar

## Security

**Alarm :** Temperature  
**Winter system :** No  
**Child lock :** No  
**Temperature memory :** Yes

## Logistic

**Net dimensions (WxDxH):** 59.0 x 56.3 x 45.5  
**Gross dimensions (WxDxH):** 65.0 x 65.0 x 51.5  
**Net weight (kg) :** 28.2  
**Gross weight (kg) :** 31.6

## Technical Data

**Energy class :** F  
**Annual energy (KWh/a) :** 99  
**Climate class :** SN/ST (10-38)  
**Noise level :** 38dB / C  
**Energy Efficiency Index :** 122 %  
**Power input :** 65.00 W  
**Voltage :** 220-240 V  
**Length of power cable :** 150 cm  
**Plug Type :** E type  
**Type of gas :** R600a  
**Gas charge :** 18 g  
**Mainly recyclable product :** Yes  
**Type of compressor :** Standard  
**Main cooling system :** Air moving system  
**Evaporator material :** Aluminum  
**Evaporator number :** 1  
**Anti-vibration system :** Yes  
**Adjustable feet :** 4 / 0.6 cm

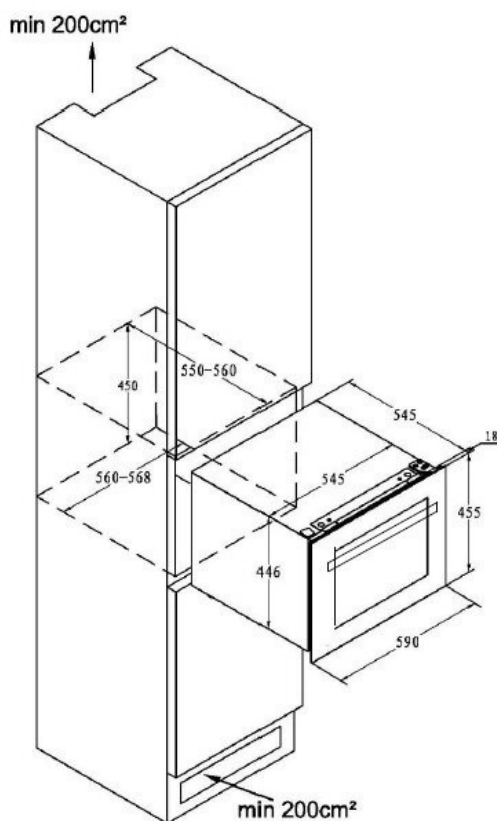
## Light

**Light source :** LED  
**Light color(s) :** Cold White  
**Dimmable light :** no  
**Light switch :** yes  
**Permanent light option :** Yes

**Qty per 20' :** 108  
**Qty per 40' :** 216  
**Qty per 40 HC :** 270  
**Customs code:** 8418501990

# LSBI28B2

EAN-13 - 3541362505293



## Accessories

- 2 shelves, wooden, sliding

## Built-in information

**Built-in dimensions (WxDxH) :** 56.80 x 56.00 x 44.60

**Installation warning :** Hot air must be driven by the ventilation to the rear wall of the product and then expelled upwards. The ventilation channels shall be at least 180 square centimeters in cross-section. Warning: to ensure proper operation, the ventilation grilles must never be obstructed or covered.