

LSBI36BDZ2

Wine Cellar service



Built-in column

GENERAL INFORMATION

Number of bottles : 36

Number of zones : 2

Adjustable temperature range : 5-20°C

Energy class : F

Climate class : SN/ST (10-38)

Vinotag compatible : Yes

Product description

DESIGN AND ELEGANCE

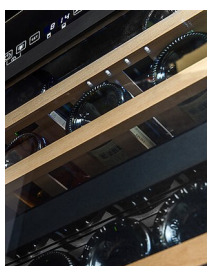
Built-in in a column, the LSBI36BDZ2 fits elegantly into your kitchen and easily thanks to its standard oven format. Protected by a tempered glass door with anti-UV treatment, your bottles are visible and enhanced by interior LED lighting.

TO THE NEAREST DEGREE

Bring your wines to tasting temperature to take full advantage of all their aromas. Thanks to its 2 temperature zones with independent adjustment, you can bring several types of wine to tasting temperature in the same cellar. Digital exterior control panel for more intuitive use and to avoid unwanted temperature movements inside the cabinet (vs. interior setting).

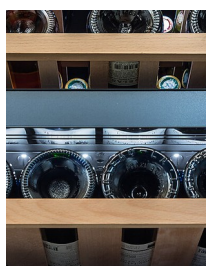
OPTIMIZED STORAGE

Store your wines on its natural wooden shelves; ergonomic, they are specially designed to accommodate your 75 cl Bordeaux-type wine bottles); removable they adapt to your needs.



DUAL TEMPERATURE ZONE

Store and refresh all your wines at the correct temperature in the same cellar



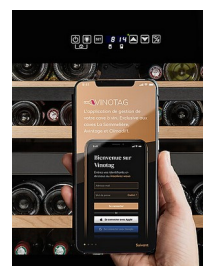
LED LIGHT

LED lighting highlights the wine without harming it or disturbing its storage



WOODEN SHELF

Traditional and aesthetic they absorb vibrations



VINOTAG COMPATIBLE

Free wine cellar management application. Access a virtual representation of your cellar and a detailed inventory

LSBI36BDZ2

EAN-13 - 3541362505309

Capacity and Temperature

- **Number of bottles: 36**
 - Upper zone : 24
 - Lower zone : 12
- **Adjustable temperature: 5-20°C**
 - Upper zone : 5-20°C
 - Lower zone : 5-20°C

Door

Door glass color : Grey
Number of glass layers : 2
Anti-UV : Yes
Tempered glass : Yes
Lock : No
Reversible door : No
Handle type : Pulling bar

Security

Alarm : Temperature
Child lock : No
Temperature memory : No

Logistic

Net dimensions (WxDxH): 59.0 x 56.3 x 59.5
Gross dimensions (WxDxH): 65.0 x 65.0 x 65.5
Net weight (kg) : 33.2
Gross weight (kg) : 36.8

Technical Data

Energy class : F
Climate class : SN/ST (10-38)
Power input : 145.00 W
Voltage : 220-240 V
Length of power cable : 150 cm
Plug Type : E type
Type of gas : R600a
Type of compressor : Standard
Main cooling system : Air moving system
Anti-vibration system : Yes
Adjustable feet : 4 / 0.7 cm

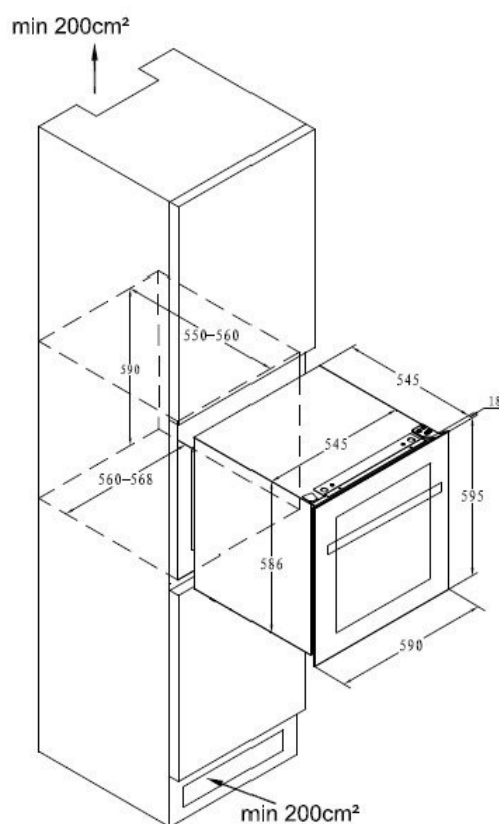
Light

Light source : LED
Light color(s) : Cold White
Dimmable light : no
Light switch : yes

Qty per 20' : 81
Qty per 40' : 162
Qty per 40 HC : 216
Customs code : 8418501990

LSBI36BDZ2

EAN-13 - 3541362505309



Accessories

- 3 shelves, wooden, sliding

Built-in information

Built-in dimensions (WxDxH) : 56.80 x 56.00 x 58.60

Installation warning : Hot air must be driven by the ventilation to the rear wall of the product and then expelled upwards. The ventilation channels shall be at least 200 square centimeters in cross-section. Warning: to ensure proper operation, the ventilation grilles must never be obstructed or covered.