



## LSBU18DZ2

Wine Cellar service



Built-under counter

### GENERAL INFORMATION

**Number of bottles : 18**

**Number of zones : 2**

**Adjustable temperature range : 5-20°C**

**Noise level : 39dB**

**Energy class : F**

**Climate class : SN/ST (10-38)**

**Vinotag compatible : Yes**

## Product description

### The wine cooler that brings out the full character of your wines

With a width of just 30 cm, this built-in under-counter wine cooler is designed for discerning wine lovers seeking the perfect balance between design and performance in a space-saving format. Its two separate temperature zones ensure optimal storage for red and white wines, so every bottle is enjoyed at the ideal serving temperature.

Designed for seamless integration thanks to its plinth recess, it fits discreetly beneath the worktop and blends naturally into modern kitchens. Its reversible black door with integrated handle combines aesthetics and practicality, while compatibility with the Vinotag app gives you precise and intelligent control over your wine collection. A complete solution that unites innovation, elegance, and a passion for wine.



#### INTEGRATED HANDLE

For a discreet and seamless design

#### DUAL TEMPERATURE ZONE

Store and refresh all your wines at the correct temperature in the same cellar

#### REVERSIBLE DOOR

Adapt the direction of opening of the door to easily install the cellar in the location of your choice

#### VINOTAG COMPATIBLE

Free wine cellar management application. Access a virtual representation of your cellar

# LSBU18DZ2

EAN-13 - 3541362506245

## Capacity and Temperature

- **Number of bottles: 18**
  - Upper zone : 6
  - Lower zone : 12
- **Adjustable temperature: 5-20°C**
  - Upper zone : 5-20°C
  - Lower zone : 5-20°C

## Door

**Door color :** Black  
**Door glass color :** Grey  
**Number of glass layers :** 3  
**Anti-UV :** Yes  
**Low-e glass :** Yes  
**Tempered glass :** Yes  
**Reversible door :** Yes  
**Handle type :** Integrated  
**Door dimensions (WxDxH) :** 28.7x5x71.4

## Security

**Alarm :** Temperature  
**Child lock :** Yes  
**Temperature memory :** Yes

## Logistic

**Net dimensions (WxDxH):** 29.5 x 57.0 x 82.0  
**Gross dimensions (WxDxH):** 32.9 x 62.5 x 86.5  
**Net weight (kg) :** 30.0  
**Gross weight (kg) :** 32.0

## Technical Data

**Energy class :** F  
**Annual energy (KWh/a) :** 98  
**Climate class :** SN/ST (10-38)  
**Noise level :** 39dB / C  
**Energy Efficiency Index :** 122 %  
**Power input :** 140.00 W  
**Voltage :** 220 V  
**Length of power cable :** 150 cm  
**Type of gas :** R600a  
**Gas charge :** 18 g  
**Mainly recyclable product :** Yes  
**Type of compressor :** Standard  
**Main cooling system :** Air moving system  
**Anti-vibration system :** Yes  
**Adjustable feet :** 4 / 1.5 cm

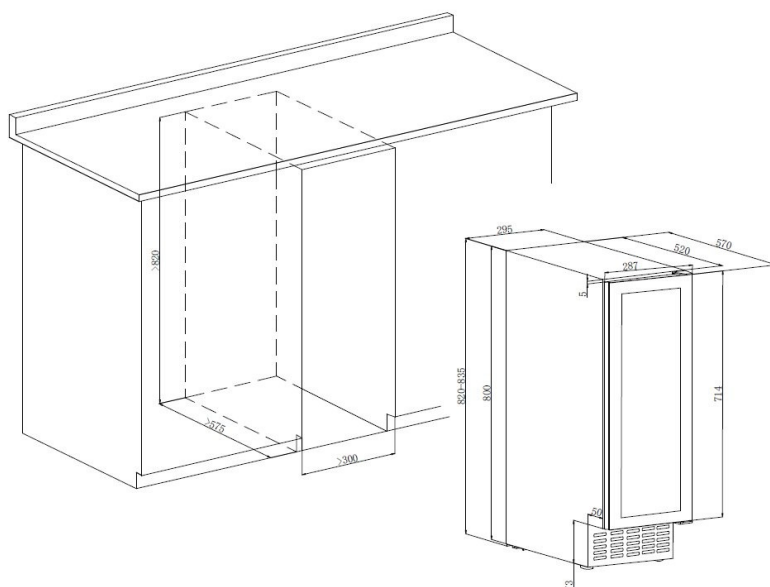
## Light

**Light source :** LED  
**Light color(s) :** White  
**Dimmable light :** no  
**Light switch :** yes  
**Permanent light option :** Yes

**Qty per 20' :** 144  
**Qty per 40' :** 304  
**Qty per 40 HC :** 397  
**Customs code :**

# LSBU18DZ2

EAN-13 - 3541362506245



## Accessories

- 4 shelves, wooden, sliding

## Built-in information

**Built-in dimensions (WxDxH) :** 30.00 x 57.50 x 82.00

**Plumbing passage :** No

**Recessed plinth :** Yes / 5.00

**Plinth height :** 7.60

**Installation warning :** This product is equipped with a front ventilation system. Follow the installation instructions to ensure proper operation of the unit.